

The EJOT
DELTA PT®
Fastener
Predictable
performance improvement
for thermoplastics

DELTA CALC [v2.3.9]

Report from 13.06.2016

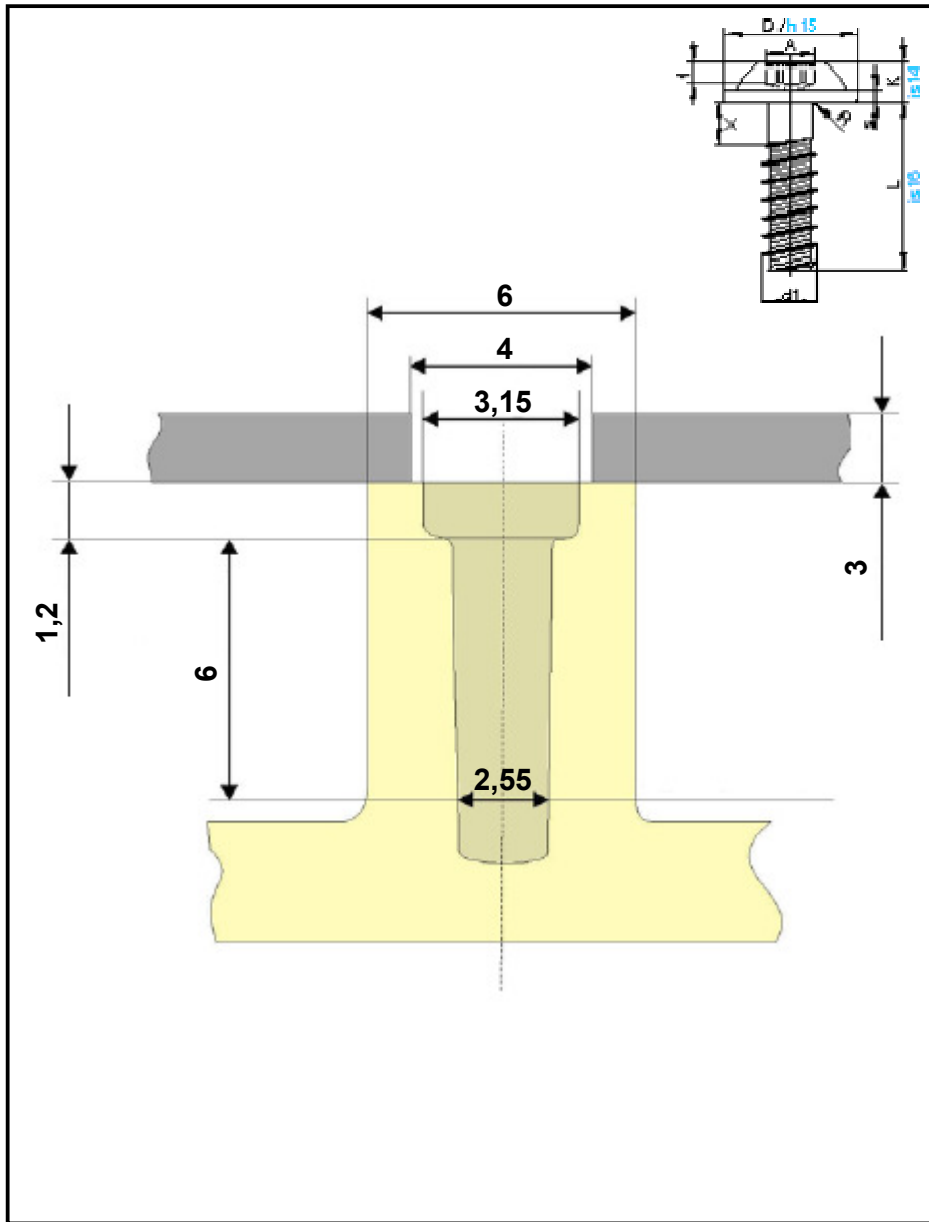
project

project:	<input type="text" value="DT30"/>	
customer:	<input type="text"/>	
contact person:	<input type="text"/>	
adress:	<input type="text"/>	
phone:	<input type="text"/>	fax: <input type="text"/>
e-mail:	<input type="text"/>	

Contact person

name:	<input type="text"/>
phone:	<input type="text"/>
e-mail:	<input type="text"/>

Warranty: Our application engineering advice and all information is provided on the basis of today's state of technology. You are receiving information on our products and their methods of application. Certain characteristics or the qualification for certain application purposes cannot be guaranteed. As there may be different fastening criteria between our laboratory tests and your serial application, we recommend to check our indications for your special application. We kindly ask you to understand that our statements are without obligation and that we cannot give a guarantee for correctness.



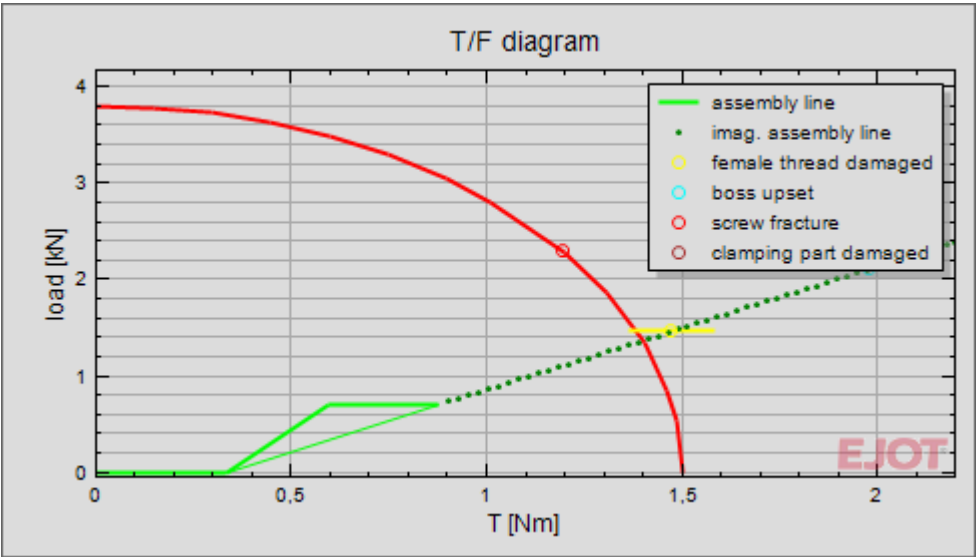
screw	
screw / material	DELTA PT [PT10]
head style	WN 5451
under head profile	---
screw surface	A2K DIN EN ISO 4042
thread diameter (d1) [mm]	3
length [mm]	10,2
head diameter (dk) [mm]	6,5

boss	
material	PPS
trade name	Ryton R-7-120BL
hole diameter (db) [mm]	2,55
external boss diameter (dT) [mm]	6
counter-bore depth (ts) [mm]	1,2
counter-bore diameter (dE) [mm]	3,15
type of fastening	blind hole

clamping part	
material	Aluminium
trade name	
clamp thickness (lk) [mm]	3
through hole diameter (dch) [mm]	4
through hole type	round hole

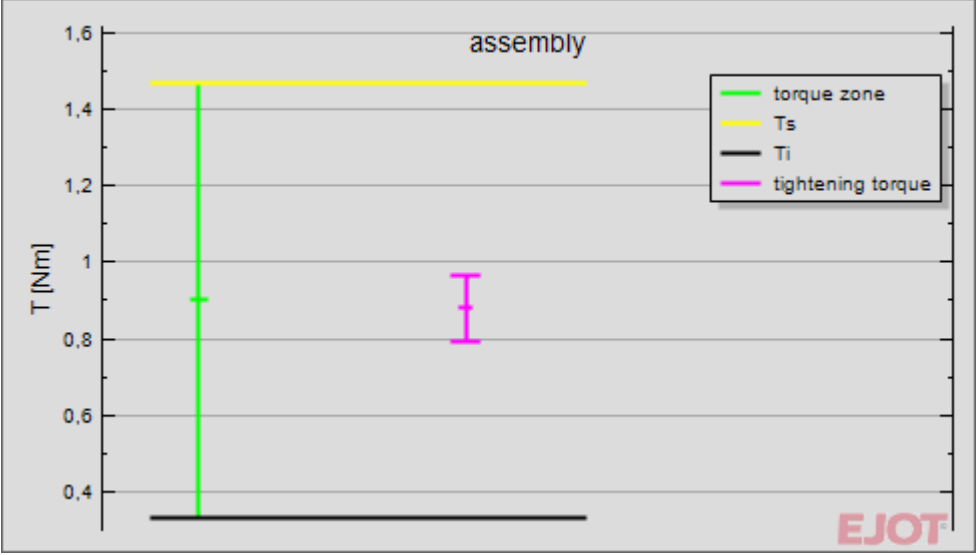
inputs	
boss load	pressure load
installation depth (te) [mm]	6 [4,5>=te<=7,5]
clamp load (Cl) [kN]	0,7
axial operating load (Fa) [kN]	0
screwdriver speed [rpm]	400
screwdriver tolerance [%]	10
temperature relaxation [°C]	80 (max: 250)
relaxation time [h / YY]	200 (0,0229)

torque	
installation torque (Ti) [Nm]	0,33
tightening torque (Tt) [Nm]	0,88
stripping torque (Ts) [Nm]	1,47
Cl at stripping torque [kN]	1,46
pull-out load [kN]	1,67



assembly	
average tightening torque (Tt_avg) [Nm]	0,88 (±0,09)
average clamp load (Cl_avg) [kN]	0,7 (±0,11)
use of torque zone [%]	48

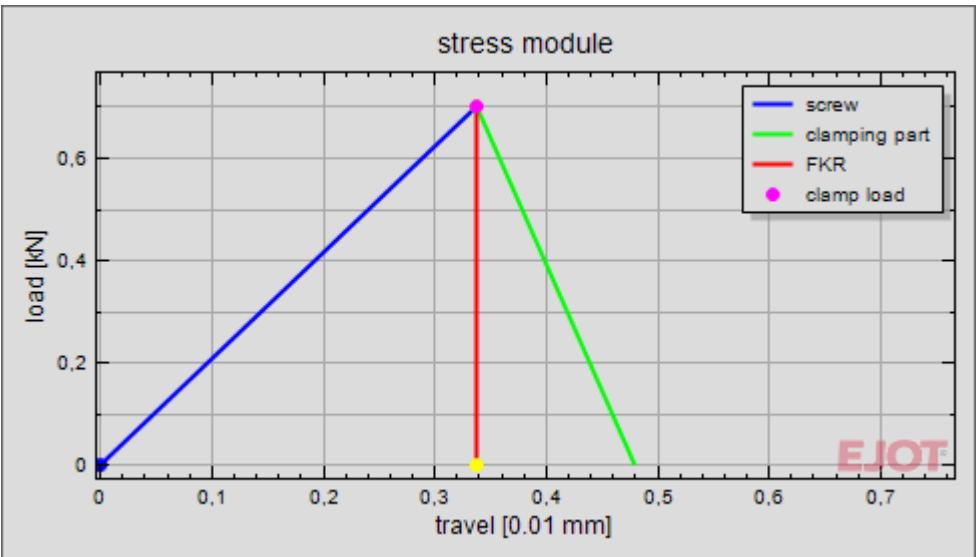
tension (no operating load)	
tension thread [N/mm²]	54 (max: 135)
tension head [N/mm²]	34 (max: 300)
tension counter-bore [N/mm²]	45 (max: 135)



messages (no warnings or errors)

inputs (installation depth)	
inputs (operating load)	
torque (inst. torque)	
torque (type of failure)	
stress module	
assembly (strip. torque)	
assembly (torque zone)	
tension	

stress module	
CI + FSA [kN]	---
clamp load (CI) [kN]	0,7
remaining clamp load (FKR) [kN]	0,7



relaxation (no operating load)	
remaining clamp load (CI) [kN]	0,3
tension thread [N/mm ²]	23,29
tension head [N/mm ²]	14,56
tension counter-bore [N/mm ²]	19,11

