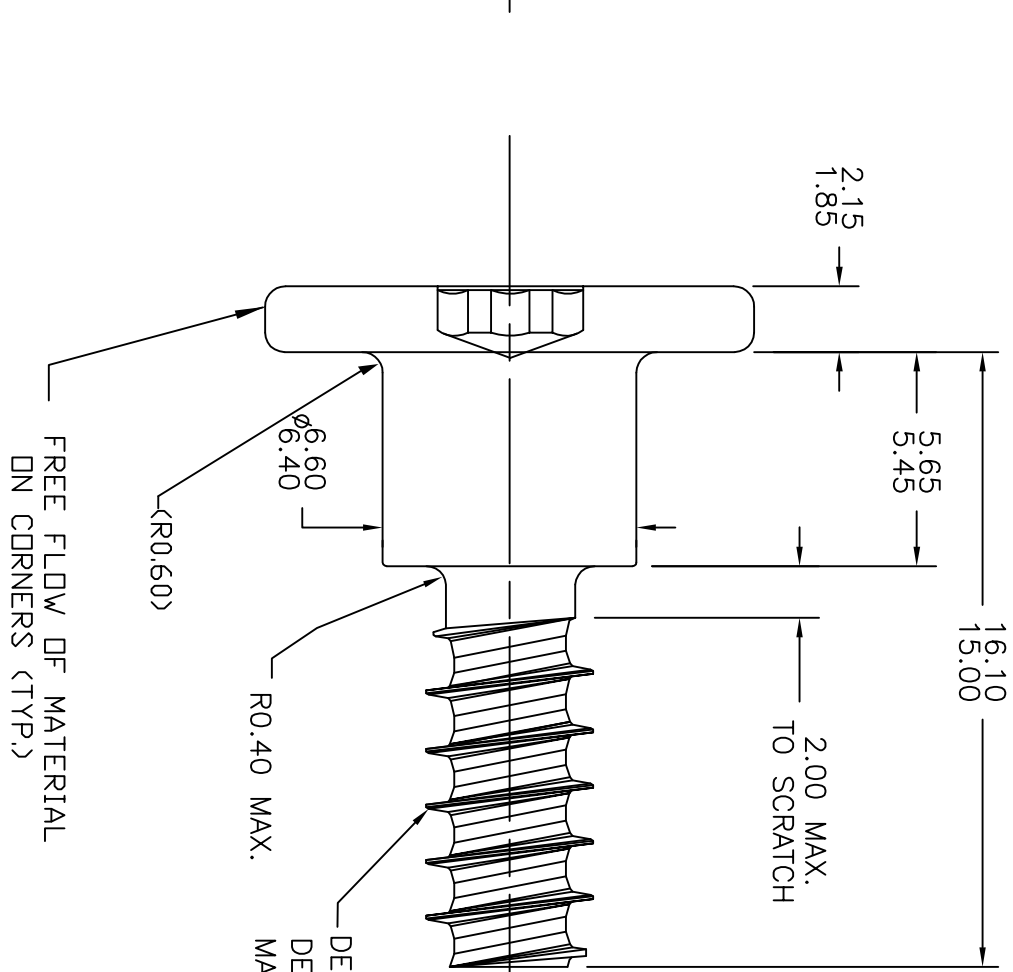
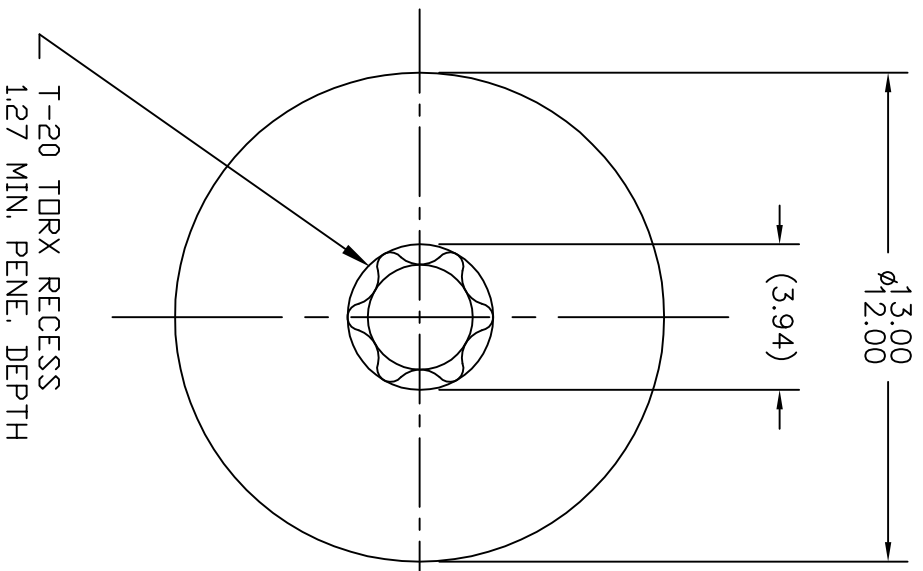
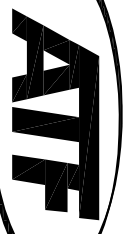


PROPOSAL FOR:	DESCRIPTION:	CUSTOMER PART NUMBER:
MATERIAL: 1022 OR 10B21 STEEL, NEUTRAL HARDEN TO RC 33-39	DELTA 40 <sup>®</sup> x 1.46 x 15.5 SPEC. T-20 TORX <sup>®</sup> WAFER HD. SHldr. SCREW - DELTA PT <sup>®</sup> SCREW FINISH: BLACK OXIDE, DRY TO TOUCH	TBD
	ATF PART NUMBER:	TBD



NOTE: PARTS TO CONFORM TO ASTM F788/F788M-08

CUSTOMER SIGNATURE:	THIS PRINT AND THE DESIGN THEREON IS THE PROPERTY OF ATF, INC. THE INFORMATION DISCLOSED IS TO BE KEPT IN CONFIDENCE AND NOT DUPLICATED OR GIVEN TO OTHERS WITHOUT THE WRITTEN PERMISSION OF ATF, INC	
SIGNED DATE:	CAD DRAWING, NO MANUAL CHANGES ALLOWED	PLLOT DATE: 6/10/16
	DRAWN BY: CAM	DATE: 11/11/15
	CHECKED BY: TOK	DATE: 11/11/15
	CAD FILE: DELTA PT SHOULDER SCREW	



3550 W. PRATT  
LINCOLNWOOD, IL

REV	DESCRIPTION	DATE	BY
-			