

PROPOSAL FOR:

DESCRIPTION:

CUSTOMER PART NUMBER:

MATERIAL:
1022 OR 10B21 STEEL,
NEUTRAL HARDEN TO RC 33-39

ALTRACS 40 X 0.7 X 27.4mm TORX BALL STUD
w/E2 TORXSTEM - ALTRACS PLUS FASTENER
FINISH:
.0003-.0005" ZINC, BAKE & CLEAR
TRIVALENT CHROMATE WITH JS500

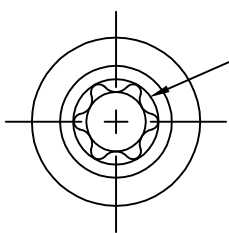
TBD
ATF PART NUMBER:
TBD

REV DESCRIPTION

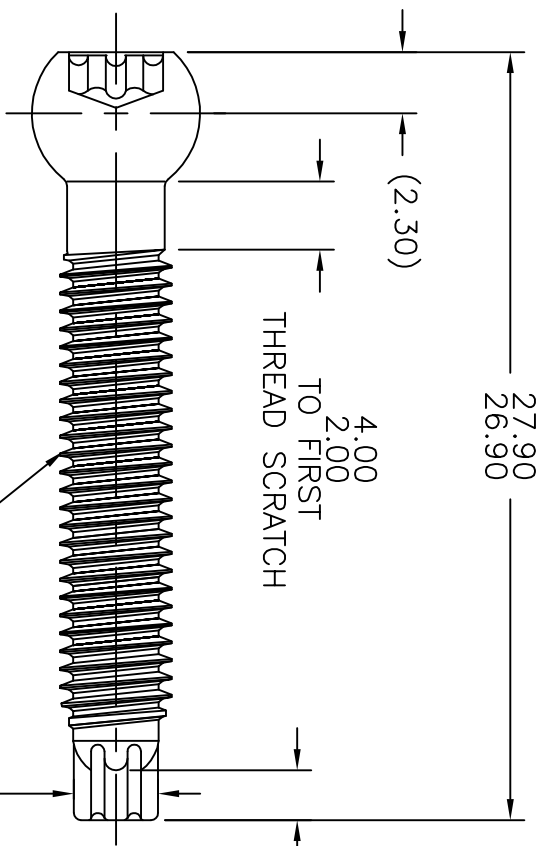
-

-

E2 TORXSTEM

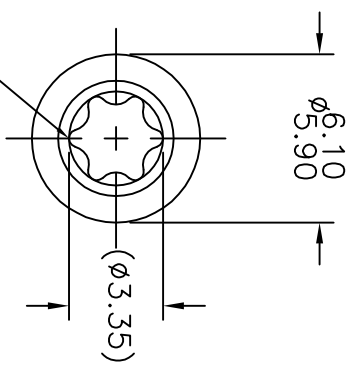


1.60
MIN



(3.00)

ALTRACS 40 X 0.7 THREAD
MAJOR DIA: 4.06/3.94
ALTRACS® PLUS (TYPE N) THREAD



T15 TORX® RECESS

NOTE: PARTS TO CONFORM TO ASTM F788/F788M-08

CUSTOMER SIGNATURE:

THIS PRINT AND THE DESIGN THEREON IS THE PROPERTY OF ATF, INC. THE INFORMATION DISCLOSED IS TO BE KEPT IN CONFIDENCE AND NOT DUPLICATED OR GIVEN TO OTHERS WITHOUT THE WRITTEN PERMISSION OF ATF, INC

DRAWN BY: CBW DATE: 6/13/16

CHECKED BY: XXX DATE: X/X/XX

CAD DRAWING, NO MANUAL CHANGES ALLOWED

PLOT DATE: 6/13/16

CAD FILE: ALTRACS PLUS BALL SCREW



3550 W. PRATT
LINCOLNWOOD, IL

SIGNED DATE:

BY -
DATE -